

High power HIGHBAY Lamp

Model: BELLSTAR-100-X-2 (x denote LED color)

1. Applications: Suitable for damp locations

2. Mechanical specification:

Housing: Aluminum, glass

Outline Dim: $\Phi 420*398\text{mm}$

Net Weight: about 11kg

Surface temperature: $<55^{\circ}\text{C}$ (@ $T_a=25^{\circ}\text{C}$)



3.Environment Specification:

Operation Temp: $-30\sim+40^{\circ}\text{C}$

Humidity range: 10% ~ 90%

4.Electric Specification:

Input Voltage: 120-277Vac 50/60 Hz for UL

220-240Vac 50/60 Hz for CE

LED Consumption: 94W type

Power Consumption: 105W Max

5. Optical performance:

Color Temp: Cool White 5000~5700K&Warm White 2700K~3000K

Beam Angle : $34^{\circ} \pm 2^{\circ}$

Lighting Output Lumens: 9000lm@230V 50Hz cool white

Intensity of illumination: 24300Lx@1 m distance cool white

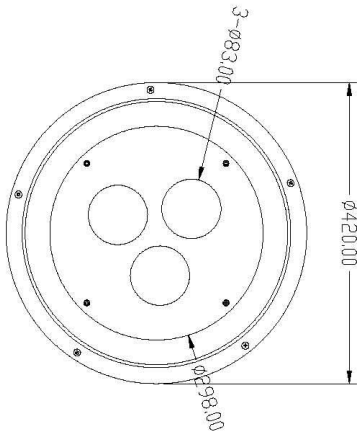
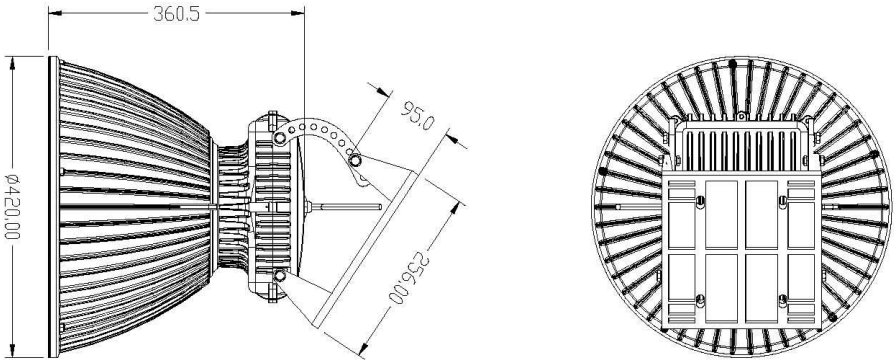
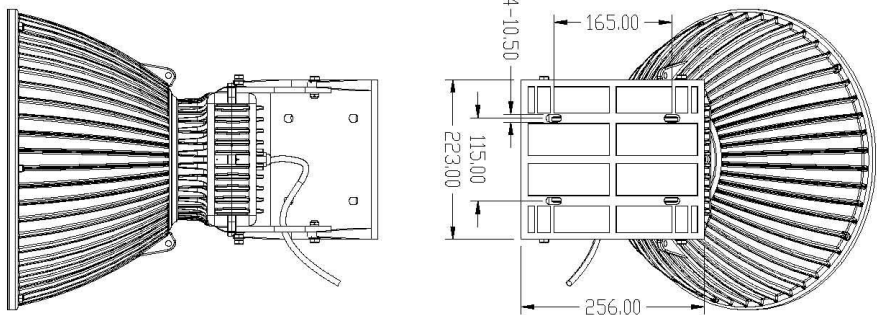
1518Lx@4 m distance cool white

379Lx@8 m distance cool white

168Lx@12 m distance cool white

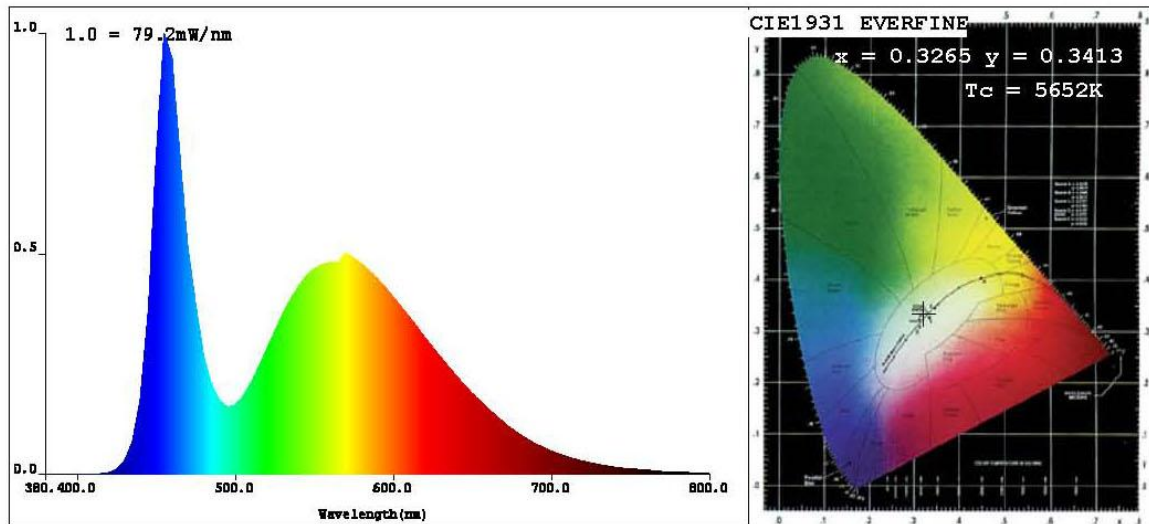
6. Average life time: 30,000 hours in min.

7. Dimension:



8. Test

Light Source Test Report



CIE Color Parameters:

Chromaticity Coordinate: $x=0.3265$ $y=0.3413$ $u=0.2072$ $v=0.3138$

CCT: $T_c=5652K$ Prcp WaveL: $\lambda_c=484.4nm$ Purity=2.6%

Peak WaveL: $\lambda_p=455nm$ Half Width: $\Delta\lambda=23.1nm$ Ratio: R=13.9% G=80.5% B=5.5%

Average Wave: 550nm

CLASS: OUT

Rendering Index: $R_a=73.3$

R1 =76 R2 =88 R3 =89 R4 =69 R5 =74 R6 =77 R7 =83 R8 =63

R9 =-2 R10=66 R11=62 R12=45 R13=80 R14=94 R15=75

Photo Parameters:

Flux: $\Phi_v=8835.9(lm)$ Luminous efficacy: 85.12(lm/W) Luminous Power: $P=5.17(W)$

Electrical Parameters:

$U=230.2V$ $I=0.4609A$ $P=103.8W$ $PF=0.9783$

Instrument Status:

Scan Range: 380.0nm-800.0nm

Interval: 5.0nm

$I_p = 27212$

REF = 12171

% = -1.667%

TMP(PMT) = 23.2degrees centigrade

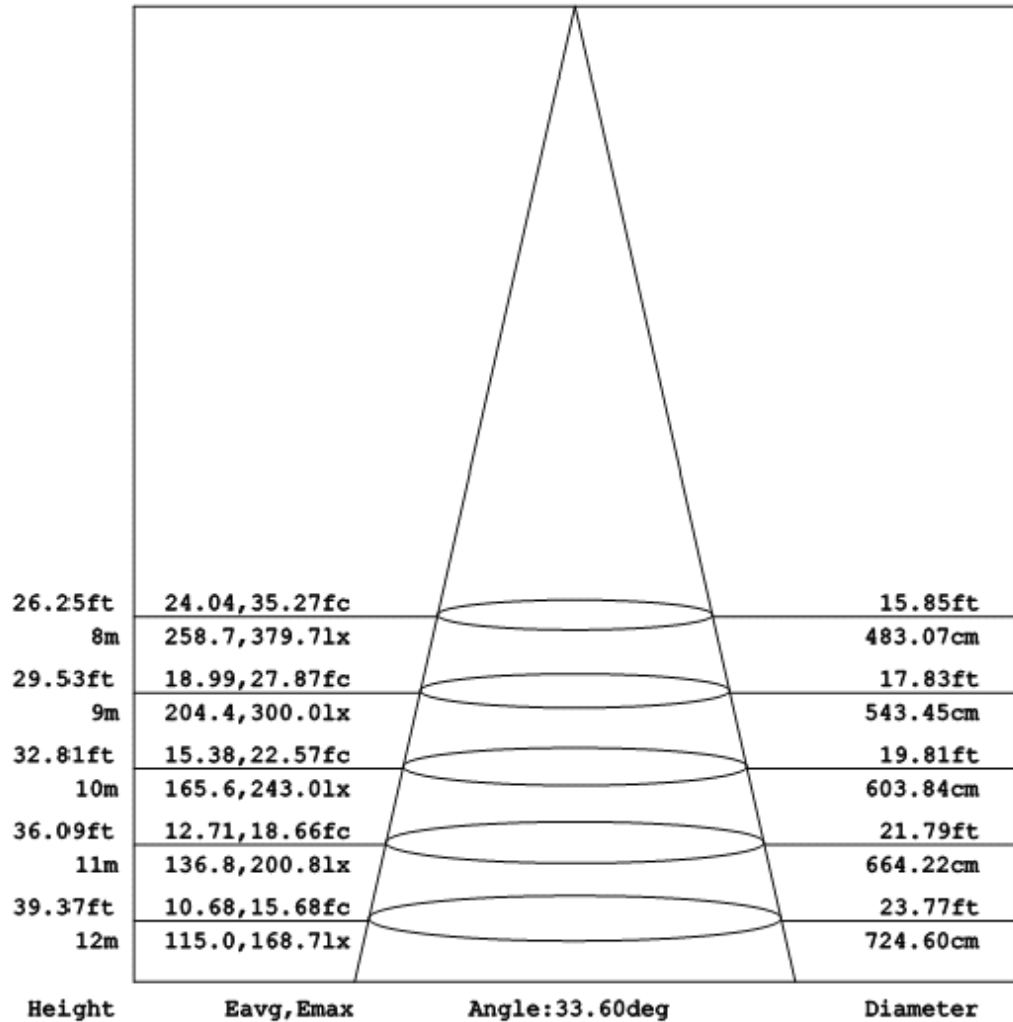
Product Type: BELLSTAR-100-C-B-PP
Instrument: PMS-50 System
Temperature: 22.9deg
Test Operator:

Manufacturer:
Test Department:
Humidity: 65.0%
Test Date: 2013-03-06

9. Test report

Illuminated area and average illumination curve

Flux out: 4862 lm



Note: The Curves indicate the illuminated area and the average illumination when the luminaire is at different distance.