

# High power HIGHBAY Lamp

**Model: BELLSTAR-135-X- 2(x denote LED color)**

**1. Applications:** Suitable for damp locations

**2. Mechanical specification:**

Housing: Aluminum, glass

Outline Dim:  $\Phi 420*398\text{mm}$

Net Weight: about 11kg

Surface temperature:  $<55^{\circ}\text{C}$  (@ $T_a=25^{\circ}\text{C}$ )



**3.Environment Specification:**

Operation Temp:  $-30\sim+40^{\circ}\text{C}$

Humidity range: 10% ~ 90%

**4.Electric Specification:**

Input Voltage: 120-277Vac 50/60 Hz for UL

220-240Vac 50/60 Hz for CE

LED Consumption: 125W type

Power Consumption: 140W Max

**5. Optical performance:**

Color Temp: Cool White 5000~5700K&Warm White 2700K~3000K

Beam Angle :  $34^{\circ} \pm 2^{\circ}$

Lighting Output Lumens: 12000lm@230V 50Hz cool white

Intensity of illumination: 32281Lx@1 m distance cool white

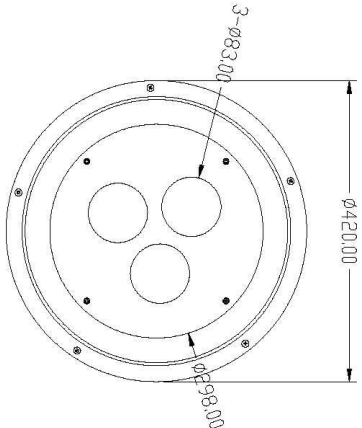
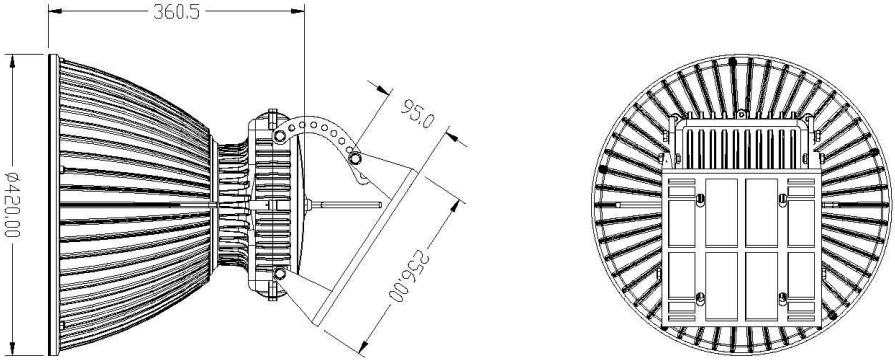
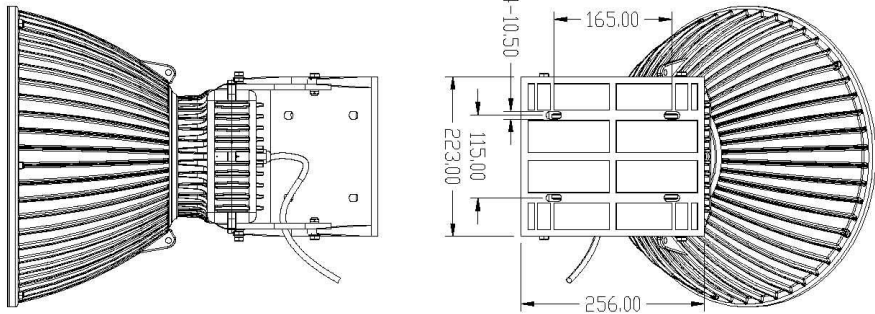
2017Lx@4 m distance cool white

504Lx@8 m distance cool white

224Lx@12 m distance cool white

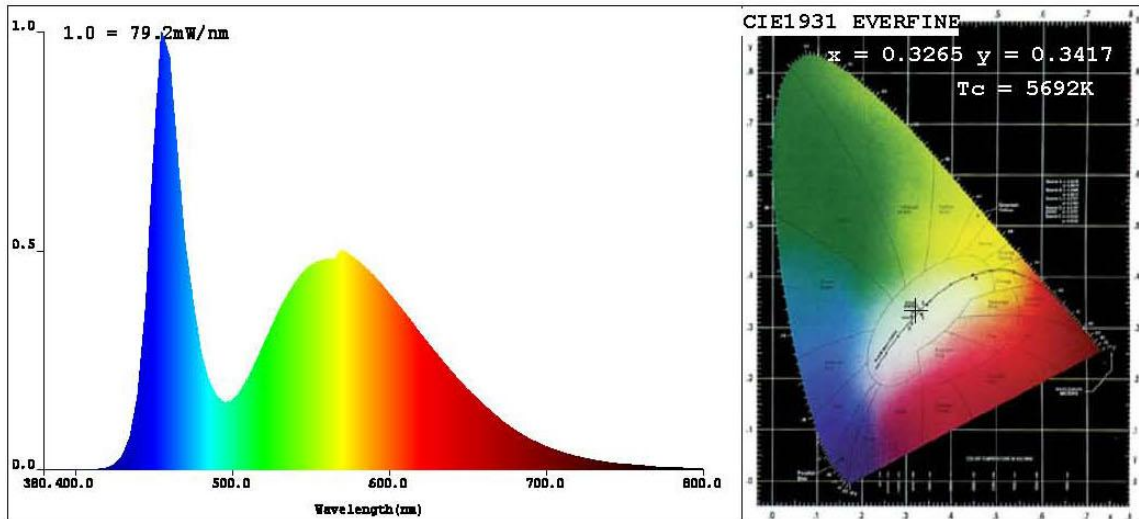
**6. Average life time:** 30,000 hours in min.

**7. Dimension:**



## 8. Test

### Light Source Test Report



#### CIE Color Parameters:

Chromaticity Coordinate:  $x=0.3265$   $y=0.3417$   $u=0.2072$   $v=0.3138$

CCT:  $T_c=5692K$  Prcp WaveL:  $\lambda_p=484.4nm$  Purity=2.6%

Peak WaveL:  $\lambda_p=455nm$  Half Width:  $\Delta\lambda=23.1nm$  Ratio: R=13.9% G=80.5% B=5.5%

Average Wave: 550nm

CLASS: OUT

Rendering Index:  $R_a=73.5$

R1 =76 R2 =88 R3 =89 R4 =69 R5 =74 R6 =77 R7 =83 R8 =63

R9 =-2 R10=66 R11=62 R12=45 R13=80 R14=94 R15=75

#### Photo Parameters:

Flux:  $\Phi_v=11875.1(lm)$  Luminous efficacy: 87.38(lm/W) Luminous Power:  $P=6.17(W)$

#### Electrical Parameters:

$U=230.2V$   $I=0.5991A$   $P=135.9W$   $PF=0.9854$

#### Instrument Status:

Scan Range: 380.0nm-800.0nm

Interval: 5.0nm

$I_p = 27212$

REF = 12171

% = -1.667%

TMP(PMT) = 23.2degrees centigrade

Product Type: BELLSTAR-135-C-B-PP

Manufacturer:

Instrument: PMS-50 System

Test Department:

Temperature: 22.9deg

Humidity: 65.0%

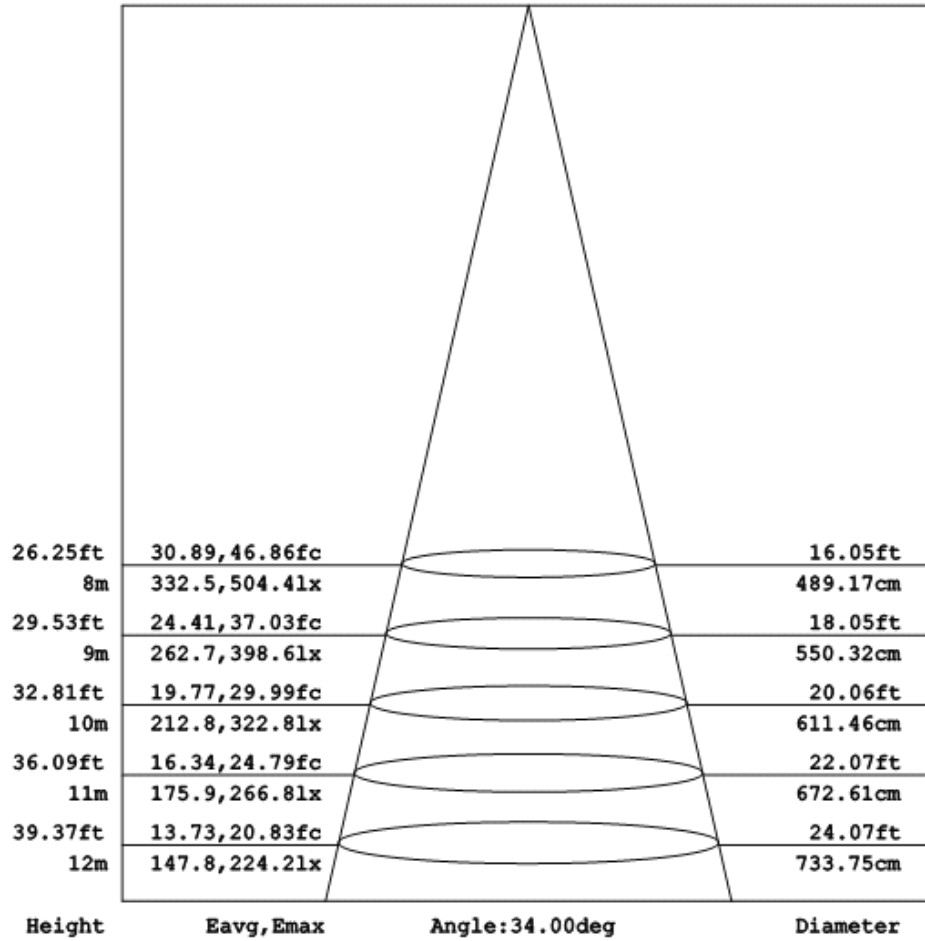
Test Operator:

Test Date: 2013-03-06

## 9. Test report

### Illuminated area and average illumination curve

Flux out: 6249 lm



Note: The Curves indicate the illuminated area and the average illumination when the luminaire is at different distance.