

High power HIGHBAY Lamp

Model: BELLSTAR-195-X-1S (x denote LED color)

1. Applications: Suitable for wet locations

2. Mechanical specification:

Housing: Aluminum, glass

Outline Dim: $\Phi 420 \times 398 \text{mm}$

Net Weight: about 12kg

Surface temperature: $< 65^\circ\text{C}$ (@ $T_a = 25^\circ\text{C}$)

3. Environment Specification:

Operation Temp: $-30 \sim +40^\circ\text{C}$

Humidity range: 10% ~ 90%

4. Electric Specification:

Input Voltage: 100-240Vac 47~63 Hz

LED Consumption: 170W

Power Consumption: 195W

5. Optical performance:

Color Temp: Cool White 5000~7000K & Warm White 2800K~3800K

CRI: Cool white > 70 , warm white > 80

Beam Angle : 15, 30, 38° can select

Lighting Output Lumens: 14500lm @ 230V 50Hz 5000K

Intensity of illumination: 86798Lx @ 1 m distance 5000K 15°

385Lx @ 15 m distance 5000K 15°

139Lx @ 25m distance 5000K 15°

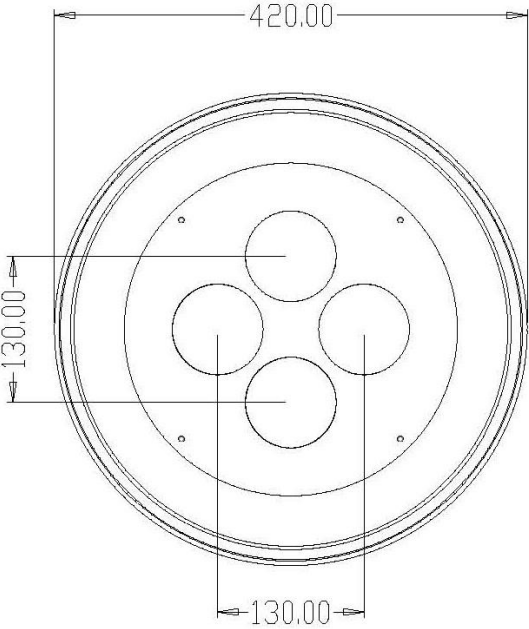
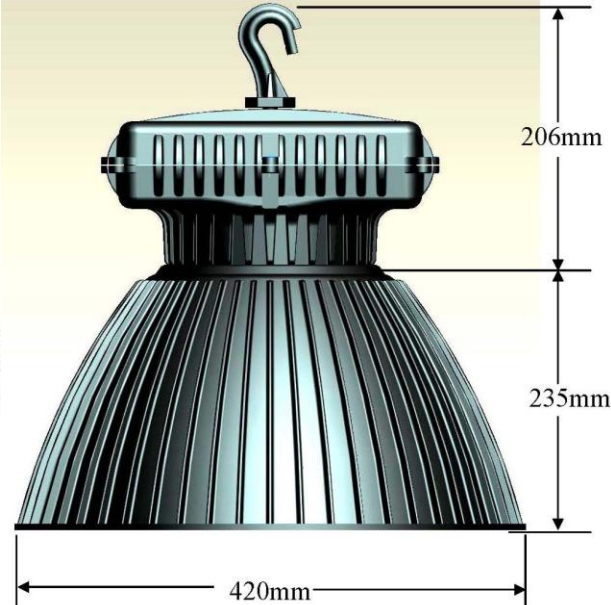
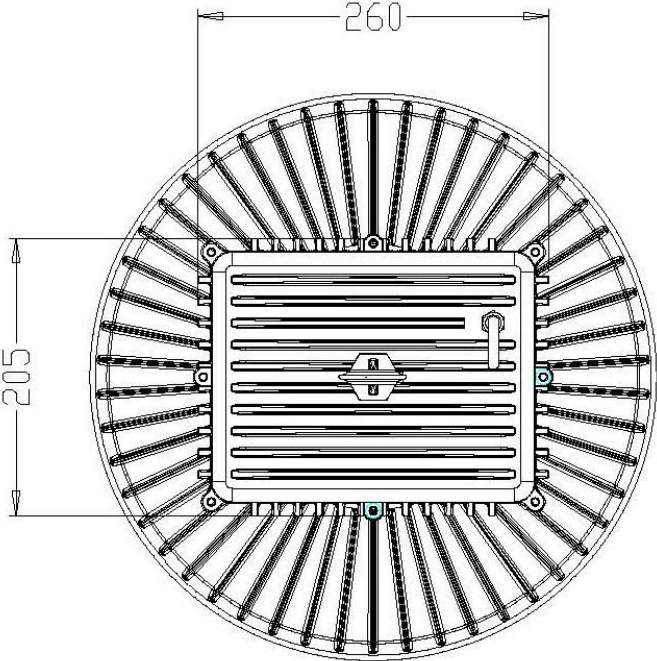
71Lx @ 35 m distance 5000K 15°

43Lx @ 45 m distance 5000K 15°

6. Average life time: 30,000 hours in min.



7. Dimension:



8. Test report

