

E40 LED HIGH BAY LAMP

Model: RICO-B75-C

1. Applications: In door use only

2. Mechanical specification:

Housing: heat sink /Aluminum, cover/pc, power cover/PC

Outline Dim: Φ 125*254mm

Net Weight: about 600g

Surface temperature: $<85^{\circ}\text{C}$ (@ $T_a=25^{\circ}\text{C}$)

Lamp holder: E39/E40

3.Environment Specification:

Operation Temp: $-20\sim+40^{\circ}\text{C}$

Humidity range: 20% ~ 90%

4.Electric Specification:

Input Voltage: 200 - 277Vac 50Hz

LED Type: 3030 (DOB)

PF: $>0.9@$ 220V/50Hz

Power Consumption: 75W

5. Optical performance:

Color Temp: 5000K \pm 300K

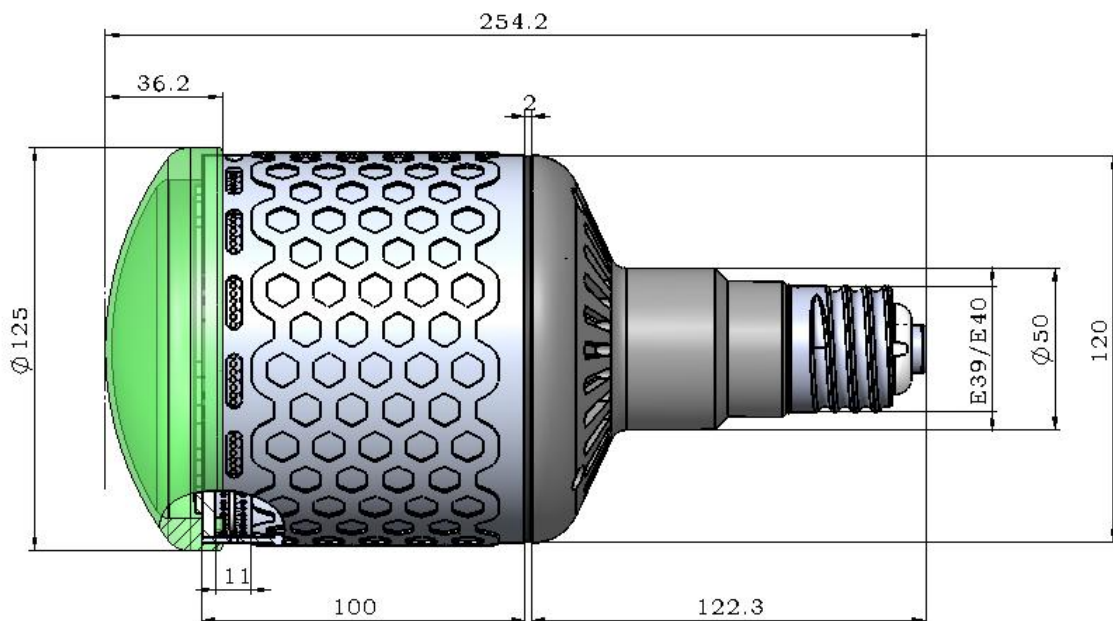
Beam Angle(50%) : 106°

CRI: >80

Lumens (type): 8000lm@220V 5000K

6. Average life time: 20,000 hours in min.

7. Dimension:



8. Test

