

E40 LED HIGH BAY LAMP

Model: RICO-B110-C

1. Applications: In door use only

2. Mechanical specification:

Housing: heat sink /Aluminum, cover/pc, power cover/PC

Outline Dim: Φ 125*254mm

Net Weight: about 890g

Surface temperature: $<65^{\circ}\text{C}$ (@ $T_a=25^{\circ}\text{C}$)

Lamp holder: E39/E40

3.Environment Specification:

Operation Temp: $-20\sim+40^{\circ}\text{C}$

Humidity range: 20% ~ 90%

4.Electric Specification:

Input Voltage: 90-277Vac 50/60 Hz

LED Type: PHILIPS 3030 *216 pcs

PF: >0.95 @ 230V/50Hz

Power Consumption: 110W

5. Optical performance:

Color Temp: 5000K \pm 300K

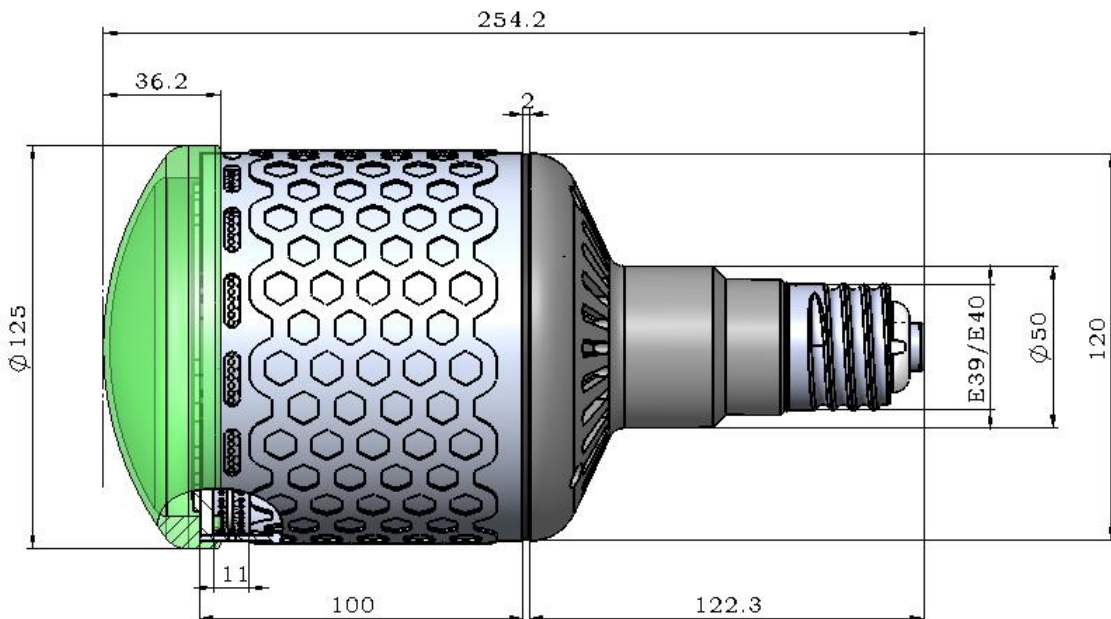
Beam Angle(50%) : 106°

CRI: >80

Lighting Output Lumens (type): 13500lm@120V 5000K

6. Average life time: 30,000 hours in min.

7. Dimension:



8. Test

