

LED Garden Light

Model : Nightstar 1007-2-X (X denote color)

1. Applications: can use in wet location

2. Mechanical specification:

Housing: Aluminum, lens

Wire type: UL SJTW 3*18 AWG

Outline Dim: Φ 97.2*124.6mm

Net Weight: about 600g

Surface temperature: $<65^{\circ}\text{C}$ (@ $T_a=25^{\circ}\text{C}$)

Waterproof: IP65



3.Environment Specification:

Operation Temp: $-25\sim+40^{\circ}\text{C}$

Humidity range: 20% ~ 90%

4.Electric Specification:

Input Voltage: 100-240Vac 47~63 Hz

LED Type: 7*1W

Power Consumption: 10W max

5. Optical performance:

Color Temp: Cool White 5500~7000K&Warm White 2800K~3800K

Beam Angle 2θ $1/2^{\circ}$ $20^{\circ} \pm 2^{\circ}$

CRI: cool white >70 ; warm white >75

Intensity of illumination:2200Lx@1 m distance cool white

1650Lx@1 m distance warm white

570Lx@2 m distance cool white

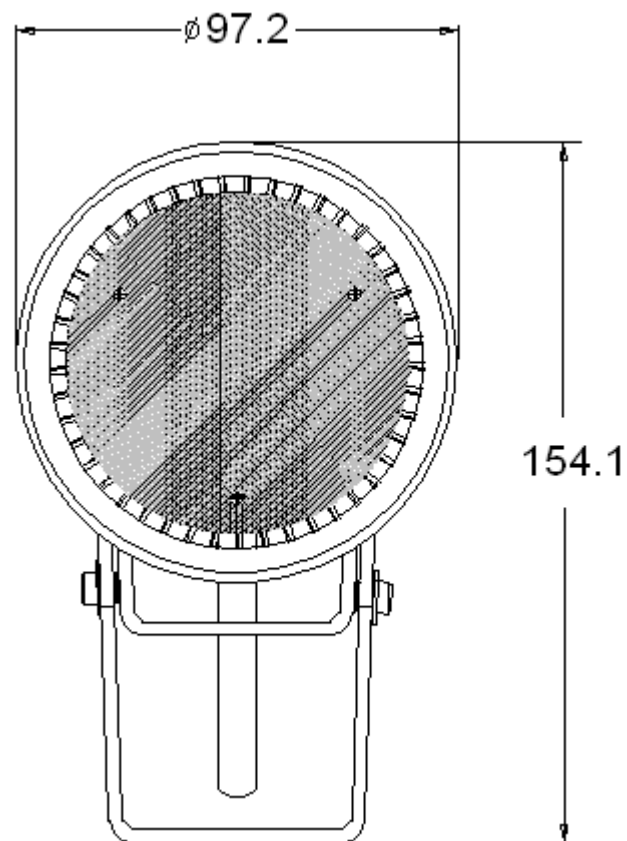
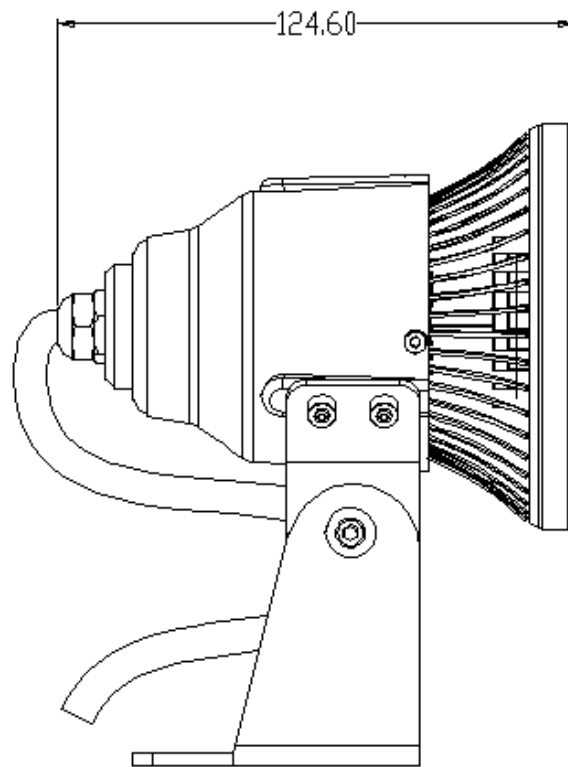
370Lx@2 m distance warm white

Lighting Output Lumens: $>500\text{lm}$ @220V 50Hz cool white

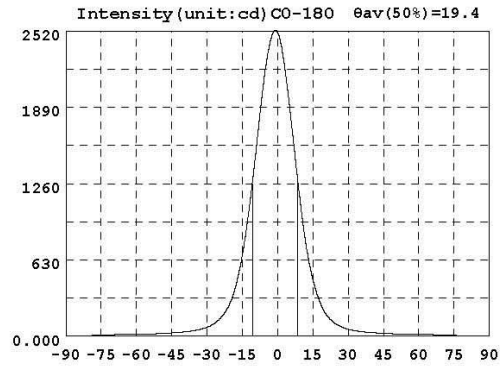
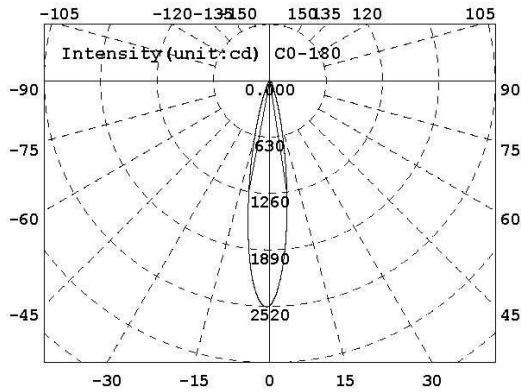
$>400\text{lm}$ @220V 50Hz warm white

6. Average life time: 30,000 hours in min.

7. Dimension:



8. Angle Test



Intensity data:(deg , cd) C0-180

A	I	A	I	A	I	A	I	A	I	A	I
-90.0	2.937	-57.0	17.90	-24.0	156.9	9.0	1215	42.0	28.42	75.0	7.995
-87.0	2.979	-54.0	19.59	-21.0	243.5	12.0	767.0	45.0	24.98	78.0	5.213
-84.0	3.026	-51.0	22.06	-18.0	402.0	15.0	469.1	48.0	21.97	81.0	2.819
-81.0	5.181	-48.0	24.85	-15.0	669.5	18.0	282.0	51.0	19.61	84.0	2.230
-78.0	7.912	-45.0	28.35	-12.0	1064	21.0	171.1	54.0	17.61	87.0	2.313
-75.0	10.47	-42.0	32.78	-9.0	1562	24.0	113.2	57.0	16.22	90.0	2.532
-72.0	12.81	-39.0	38.02	-6.0	2085	27.0	79.28	60.0	15.48		
-69.0	14.39	-36.0	45.96	-3.0	2439	30.0	58.71	63.0	15.05		
-66.0	15.48	-33.0	57.67	0.0	2510	33.0	46.80	66.0	14.33		
-63.0	16.33	-30.0	75.27	3.0	2227	36.0	38.39	69.0	12.69		
-60.0	17.05	-27.0	105.1	6.0	1742	39.0	32.49	72.0	10.52		

Electricity Parameter:

Current I: 0.047A Power: 8.7W
 Voltage V: 219.6V PF: 0.833

Optical Parameter(Test distance:1.0m)

Luminous flux: $\Phi_{eff} = 489.7lm$ Efficiency: $Eff=47.45lm/W$
 Diffuse angle: $\theta(25\%): 28.5^\circ$ $\theta(50\%): 19.4^\circ$ $\theta(75\%): 12.3^\circ$ $\theta(50\%): 19.4^\circ$
 Diffuse angle: $\theta(25\%): 28.5^\circ$ $\theta(50\%): 19.4^\circ$ $\theta(75\%): 12.3^\circ$ $\theta(50\%): 19.4^\circ$
 $I_{max}=2510cd (C=0.0^\circ, G=0.0^\circ)$ C0-180Plane $I_{max}= 2510cd(G=0.0^\circ)$

Lamp Type: NIGHTSTAR1007-2-C
 Tester:h
 Temperature:25.3deg
 Manufactory:ANCHORN

Luminaires Type:
 Test Date: 2011-01-03
 Humidity:65%
 Remarks: