

# Outdoor Flood Lighting

**Model: NIGHTSTAR1207-2-X(x denote color)**

**1. Applications:** can use in wet location

## **2. Mechanical specification:**

Housing: Aluminum, pc

Wire type: UL SJTW 3\*18 AWG

Outline Dim:  $\Phi 97.2*130.8*154.1\text{mm}$

Net Weight: about 630g

Surface temperature:  $<65^{\circ}\text{C}$  (@ $T_a=25^{\circ}\text{C}$ )

Waterproof: IP65



## **3.Environment Specification:**

Operation Temp:  $-25\sim+40^{\circ}\text{C}$

Humidity range: 20% ~ 90%

## **4.Electric Specification:**

Input Voltage: 100-240Vac 47~63 Hz

LED Consumption: 10W max

Power Consumption: 12W max

## **5. Optical performance:**

Color Temp: Cool White 5000~7000K&Warm White 2800K~3800K

Beam Angle  $2\theta 1/2: 85^{\circ} \pm 2^{\circ}$

Lighting Output Lumens:  $>550\text{lm}@220\text{V } 50\text{Hz}$  cool white

$>450\text{lm}@220\text{V } 50\text{Hz}$  warm white

Intensity of illumination: $265\text{Lx}@1\text{ m}$  distance cool white

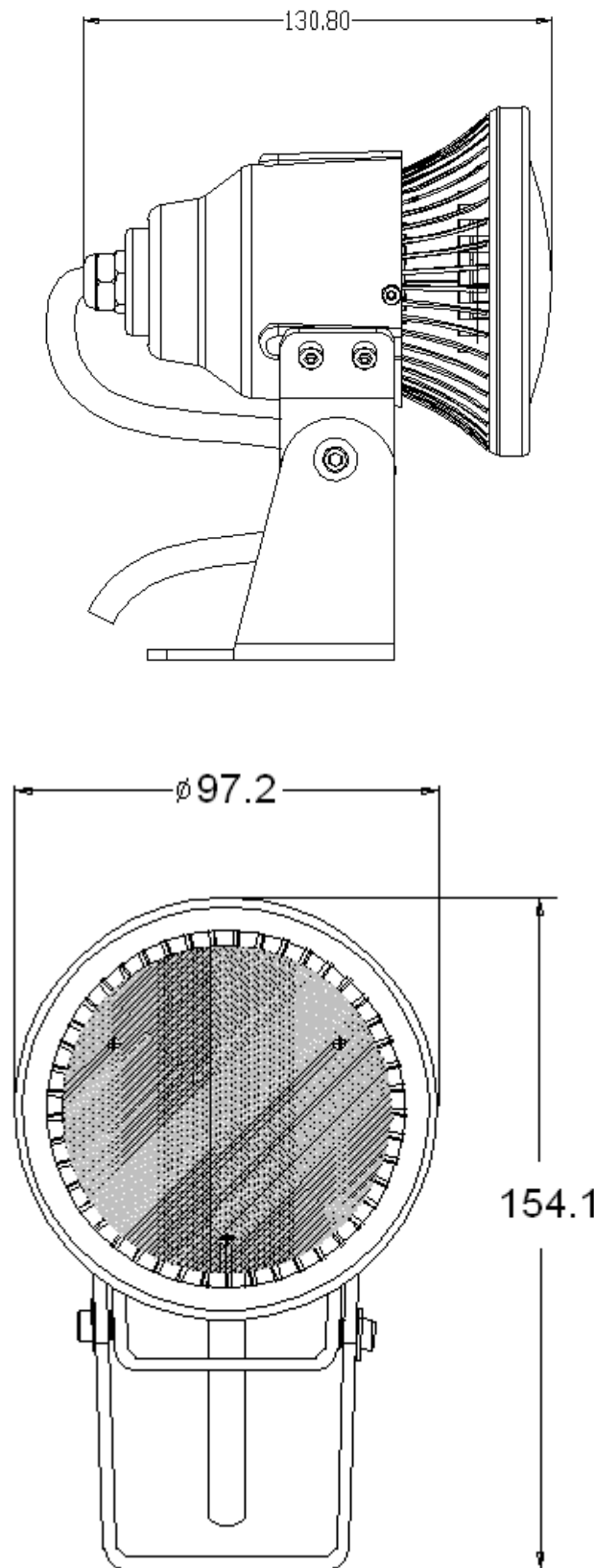
$190\text{Lx}@1\text{ m}$  distance warm white

$75\text{Lx}@2\text{ m}$  distance cool white

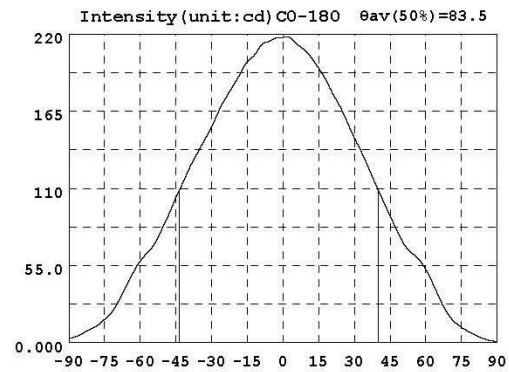
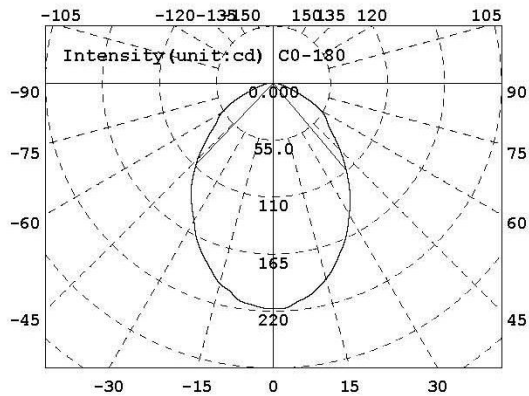
$54\text{Lx}@2\text{ m}$  distance warm white

**6. Average life time:** 30,000 hours in min.

## 7. Dimension:



## 8. Angle Test



Intensity data:(deg , cd) C0-180

A	I	A	I	A	I	A	I	A	I	A	I
-90.0	3.213	-57.0	64.24	-24.0	174.7	9.0	208.7	42.0	101.5	75.0	11.12
-87.0	4.537	-54.0	70.38	-21.0	183.1	12.0	202.9	45.0	90.42	78.0	7.999
-84.0	6.902	-51.0	80.65	-18.0	191.7	15.0	195.6	48.0	79.74	81.0	5.334
-81.0	9.694	-48.0	91.46	-15.0	200.4	18.0	187.3	51.0	69.90	84.0	3.142
-78.0	12.38	-45.0	103.6	-12.0	204.8	21.0	177.1	54.0	64.20	87.0	1.657
-75.0	16.76	-42.0	114.3	-9.0	212.3	24.0	168.2	57.0	59.75	90.0	1.060
-72.0	21.85	-39.0	125.6	-6.0	214.5	27.0	157.2	60.0	52.21		
-69.0	30.06	-36.0	135.1	-3.0	217.0	30.0	146.0	63.0	42.24		
-66.0	39.89	-33.0	144.4	0.0	217.6	33.0	135.9	66.0	30.96		
-63.0	49.92	-30.0	153.7	3.0	217.4	36.0	124.4	69.0	21.45		
-60.0	58.31	-27.0	165.1	6.0	212.5	39.0	112.5	72.0	15.15		

### Electricity Parameter:

Current I: 0.058A      Power: 12.4W  
 Voltage V: 219.5V      PF: 0.973

### Optical Parameter (Test distance:1.0m)

Luminous flux:  $\Phi_{\text{eff}} = 597 \text{ lm}$       Efficiency:  $\text{Eff} = 48.14 \text{ lm/W}$

Diffuse angle:       $\theta(25\%): 120.7^\circ$        $\theta(50\%): 83.5^\circ$        $\theta(75\%): 52.9^\circ$        $\theta(50\%): 83.5^\circ$

Diffuse angle:       $\theta(25\%): 120.7^\circ$        $\theta(50\%): 83.5^\circ$        $\theta(75\%): 52.9^\circ$        $\theta(50\%): 83.5^\circ$

$I_{\text{max}} = 217.6 \text{ cd}$  (C=0.0°,G=0.0°)

C0-180Plane  $I_{\text{max}} = 217.6 \text{ cd}$  (G=0.0°)

Lamp Type: NIGHTSTAR-1207-2-C  
 Tester:h  
 Temperature:25.3deg  
 Manufactory:ANCHORN

Luminaires Type:  
 Test Date: 2011-01-03  
 Humidity:65%  
 Remarks: