

LED Garden Light

Model: Nightstar 1607-2-X (X denote color)

1. Applications: can use in wet location

2. Mechanical specification:

Housing: Aluminum, lens

Wire type: UL SJTW 3*18 AWG

Outline Dim: Φ 120*165*132.7mm

Net Weight: about 700g

Surface temperature: $<60^{\circ}\text{C}$ (@ $T_a=25^{\circ}\text{C}$)

Waterproof: IP65



3.Environment Specification:

Operation Temp: $-25\sim+40^{\circ}\text{C}$

Humidity range: 20% ~ 90%

4.Electric Specification:

Input Voltage: 100-240Vac 47~63 Hz

LED Type: 12*1W

Power Consumption: 16W max

5. Optical performance:

Color Temp: Cool White 5500~7000K&Warm White 2800K~3800K

Beam Angle 2θ $1/2^{\circ}$ $20^{\circ} \pm 2^{\circ}$

CRI: cool white >70 ; warm white >75

Intensity of illumination: 2600Lx @ 1 m distance cool white

1850Lx @ 1 m distance warm white

630Lx @ 2 m distance cool white

420Lx @ 2 m distance warm white

280Lx @ 3 m distance cool white

185Lx @ 3 m distance warm white

Lighting Output Lumens: 850lm @ 220V 50Hz cool white

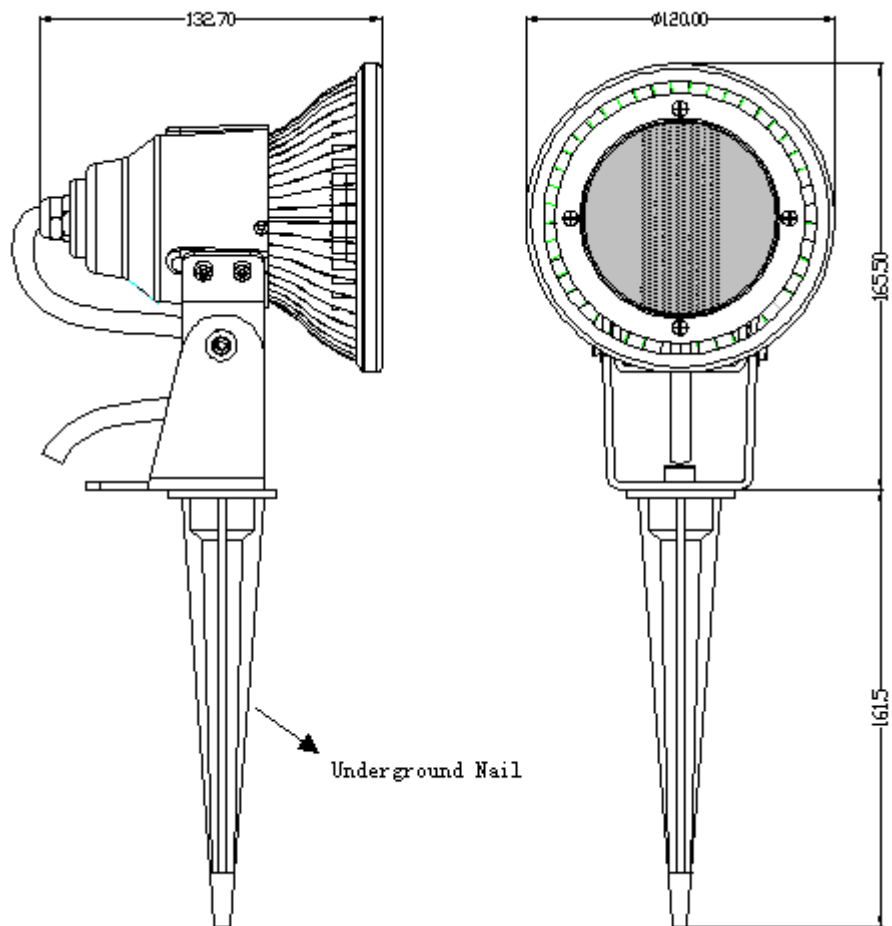
750lm @ 220V 50Hz warm white

LED Output Lumens: 1000lm (Type) @ $I_f=700\text{mA}$ cool white

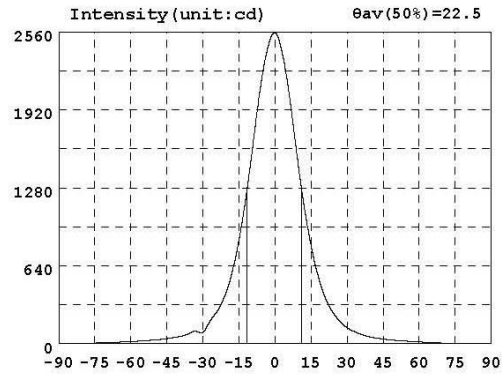
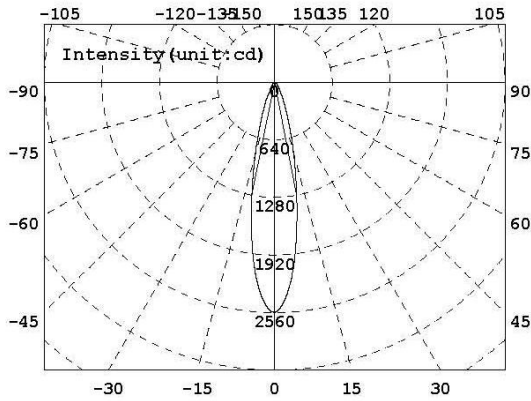
900lm (Type) @ $I_f=700\text{mA}$ warm white

6. Average life time: 30,000 hours in min.

7. Dimension:



8. Angle Test



Intensity data:(deg , cd) C15-195

A	I	A	I	A	I	A	I	A	I	A	I
-90.0	3.7	-57.0	22.0	-24.0	268.4	9.0	1575.6	42.0	48.5	75.0	3.2
-87.0	3.7	-54.0	25.9	-21.0	389.6	12.0	1148.2	45.0	39.7	78.0	1.4
-84.0	3.7	-51.0	30.4	-18.0	573.6	15.0	808.4	48.0	32.8	81.0	1.0
-81.0	3.7	-48.0	35.6	-15.0	849.4	18.0	554.1	51.0	27.6	84.0	1.1
-78.0	5.1	-45.0	42.7	-12.0	1212.8	21.0	374.7	54.0	23.1	87.0	2.5
-75.0	6.9	-42.0	51.8	-9.0	1654.8	24.0	261.0	57.0	19.1	90.0	2.3
-72.0	8.8	-39.0	63.8	-6.0	2109.5	27.0	185.9	60.0	15.8		
-69.0	11.0	-36.0	81.2	-3.0	2427.4	30.0	133.9	63.0	12.7		
-66.0	13.3	-33.0	105.6	0.0	2555.1	33.0	100.4	66.0	9.9		
-63.0	15.9	-30.0	93.7	3.0	2389.4	36.0	76.6	69.0	7.5		
-60.0	18.8	-27.0	189.2	6.0	2040.6	39.0	60.0	72.0	5.2		

Electricity Parameter:

Current I: 0.07A
 Voltage V: 219.60V
 Power: 14.90W
 PF: 0.90

Optical Parameter (Test distance:1.0m)

Luminous flux: $\phi_{eff} = 735 \text{ lm}$ Efficiency: $Eff = 49 \text{ lm/W}$
 Diffuse angle: $\theta(25\%): 33.9^\circ$ $\theta(50\%): 22.5^\circ$ $\theta(75\%): 14.1^\circ$ $\theta(50\%): 22.5^\circ$
 $I_{max} = 2555.1 \text{ cd}$ (C=15.0°, G=0.0°) C15-195Plane $I_{max} = 2555.1 \text{ cd}$ (G=0.0°)

Lamp Type: RICO-PAR38W-16-PS
 Tester: Linger
 Temperature: 25.3deg
 Manufactory: PROLED

Luminaires Type: warm white
 Test Date: 2010-10-22
 Humidity: 65%
 Remarks: