

Outdoor Flood Lighting

Model: NIGHTSTAR1807-2-X(x denote color)

1. Applications: can use in wet location

2. Mechanical specification:

Housing: Aluminum, pc

Wire type: UL SJTW 3*18 AWG

Outline Dim: $\Phi 120*165.5*139.9\text{mm}$

Net Weight: about 700g

Surface temperature: $<65^{\circ}\text{C}$ (@ $T_a=25^{\circ}\text{C}$)

Waterproof: IP65



3.Environment Specification:

Operation Temp: $-25\sim+40^{\circ}\text{C}$

Humidity range: 20% ~ 90%

4.Electric Specification:

Input Voltage: 100-240Vac 47~63 Hz

LED type: 40mil*18 pieces

LED Consumption: 15W max

Power Consumption: 18W max

5. Optical performance:

Color Temp: Cool White 5000~7000K&Warm White 2800K~3800K

Beam Angle $2\theta 1/2: 85^{\circ} \pm 2^{\circ}$

Lighting Output Lumens: 950lm@220V 50Hz cool white

850lm@220V 50Hz warm white

Intensity of illumination:410Lx@1 m distance cool white

320Lx@1 m distance warm white

110Lx@2 m distance cool white

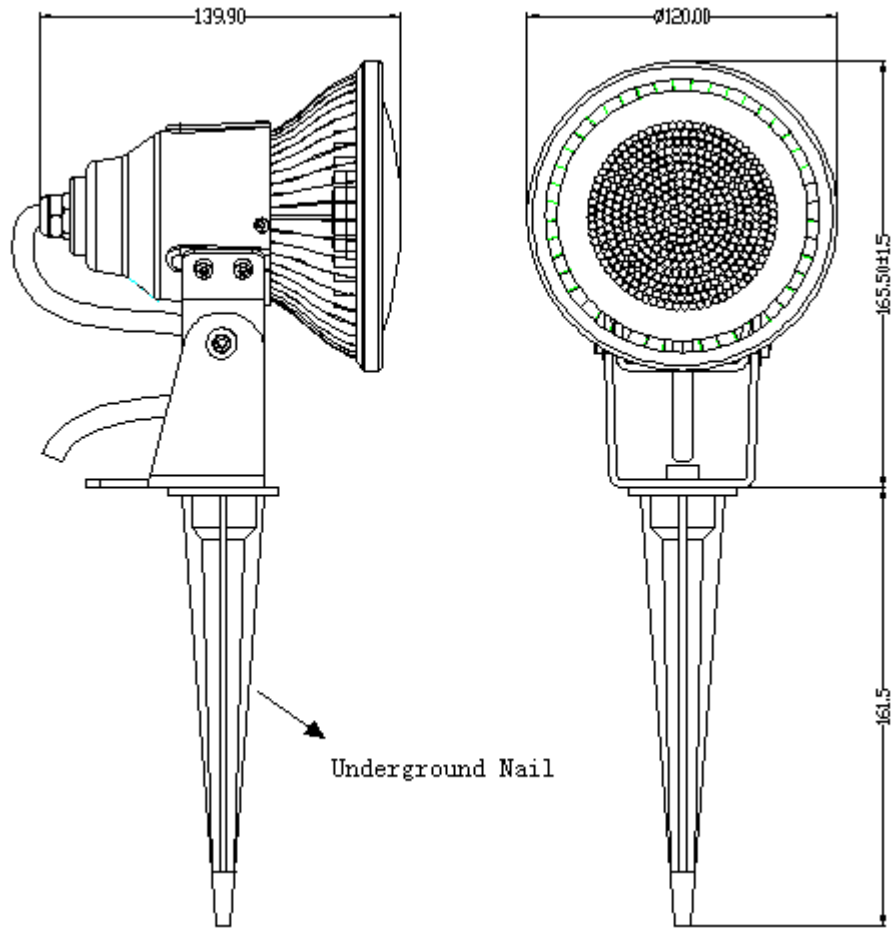
90Lx@2 m distance warm white

LED Output Lumens: 1200lm (Type)@ $I_f=700\text{mA}$ cool white

1050lm (Type)@ $I_f=700\text{mA}$ warm white

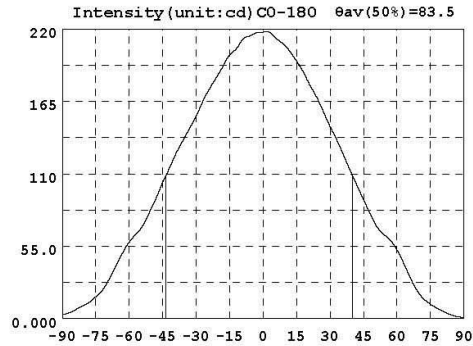
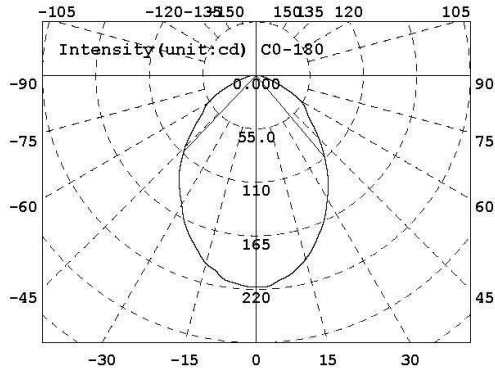
6. Average life time: 30,000 hours in min.

7. Dimension:



8. Angle Test

The Report of GO1900L SINGLE-AXIS GONIPage 1 Of 1



Intensity data:(deg , cd) C0-180

A	I	A	I	A	I	A	I	A	I	A	I
-90.0	3.213	-57.0	64.24	-24.0	174.7	9.0	208.7	42.0	101.5	75.0	11.12
-87.0	4.537	-54.0	70.38	-21.0	183.1	12.0	202.9	45.0	90.42	78.0	7.999
-84.0	6.902	-51.0	80.65	-18.0	191.7	15.0	195.6	48.0	79.74	81.0	5.334
-81.0	9.694	-48.0	91.46	-15.0	200.4	18.0	187.3	51.0	69.90	84.0	3.142
-78.0	12.38	-45.0	103.6	-12.0	204.8	21.0	177.1	54.0	64.20	87.0	1.657
-75.0	16.76	-42.0	114.3	-9.0	212.3	24.0	168.2	57.0	59.75	90.0	1.060
-72.0	21.85	-39.0	125.6	-6.0	214.5	27.0	157.2	60.0	52.21		
-69.0	30.06	-36.0	135.1	-3.0	217.0	30.0	146.0	63.0	42.24		
-66.0	39.89	-33.0	144.4	0.0	217.6	33.0	135.9	66.0	30.96		
-63.0	49.92	-30.0	153.7	3.0	217.4	36.0	124.4	69.0	21.45		
-60.0	58.31	-27.0	165.1	6.0	212.5	39.0	112.5	72.0	15.15		

Electricity Parameter:

Current I: 0.075A Power: 16.5W
Voltage V: 219.5V PF: 0.973

Optical Parameter (Test distance:1.0m)

Luminous flux: $\Phi_{\text{eff}} = 942 \text{ lm}$ Efficiency: $\text{Eff} = 57.1 \text{ lm/W}$
Diffuse angle: $\theta(25\%): 120.7^\circ$ $\theta(50\%): 83.5^\circ$ $\theta(75\%): 52.9^\circ$ $\theta(50\%): 83.5^\circ$
Diffuse angle: $\theta(25\%): 120.7^\circ$ $\theta(50\%): 83.5^\circ$ $\theta(75\%): 52.9^\circ$ $\theta(50\%): 83.5^\circ$
 $I_{\text{max}} = 217.6 \text{ cd}$ (C=0.0°, G=0.0°) C0-180Plane $I_{\text{max}} = 217.6 \text{ cd}$ (G=0.0°)

Lamp Type:NIGHTSTAR1807-2-W
Tester:h
Temperature:25.3deg
Manufactory:PROLED

Luminaires Type:
Test Date: 2010-10-22
Humidity:65%
Remarks: