

# LED High Definition Tennis Court Lighting

## Model : PROLED 200

**1. Applications:** Suitable for wet locations

### 2. Mechanical specification:

Housing: Aluminum, optical glass, silica gel

Outline Dim: 591\*186\*246mm

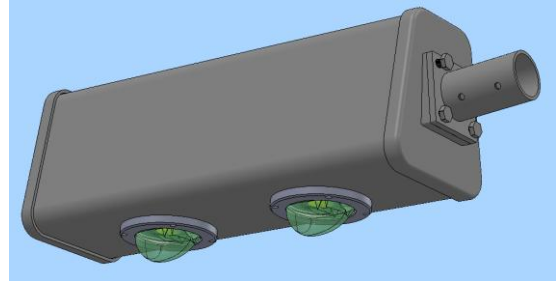
Net Weight: about 8kg

Surface temperature:  $<60^{\circ}\text{C}$  (@ $T_a=25^{\circ}\text{C}$ )

Protection grade: IP65

Installation height: 8m

Anti-wind grade:  $>12$  level



### 3.Environment Specification:

Operation Temp:  $-30\sim+50^{\circ}\text{C}$

Humidity range: 10% ~ 90%

### 4.Electric Specification:

Input Voltage: 100-277Vac 47~63 Hz External driver

Power Consumption: 200W

Power factor:  $>0.95$

### 5. Optical performance:

Color Temp: Cool White 5000~5700K

CRI:  $>80$

IES classification: Type II

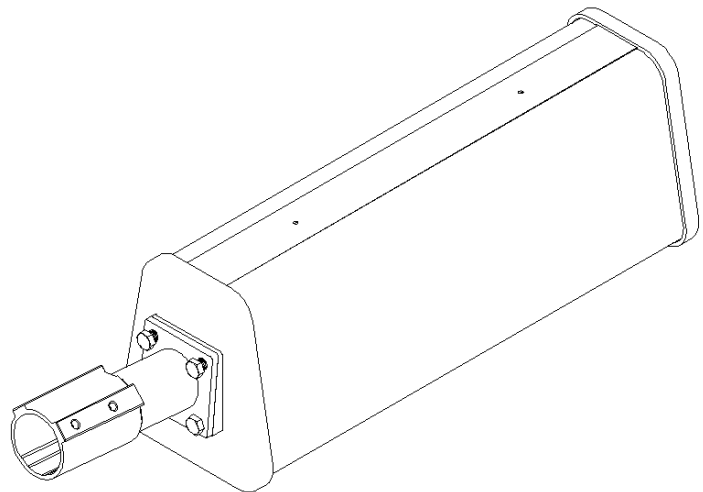
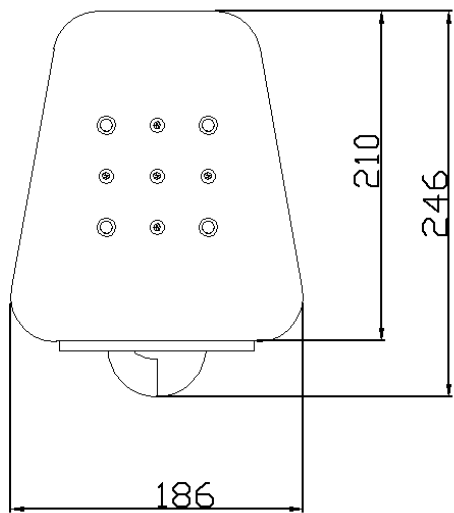
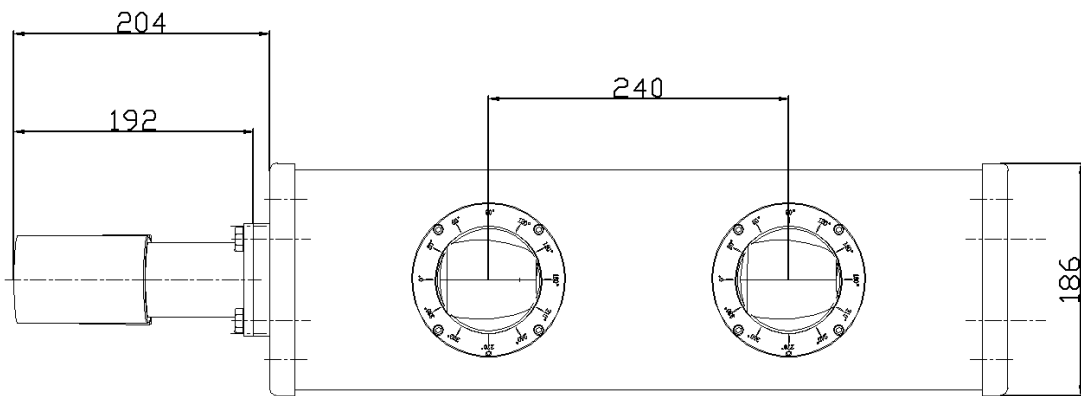
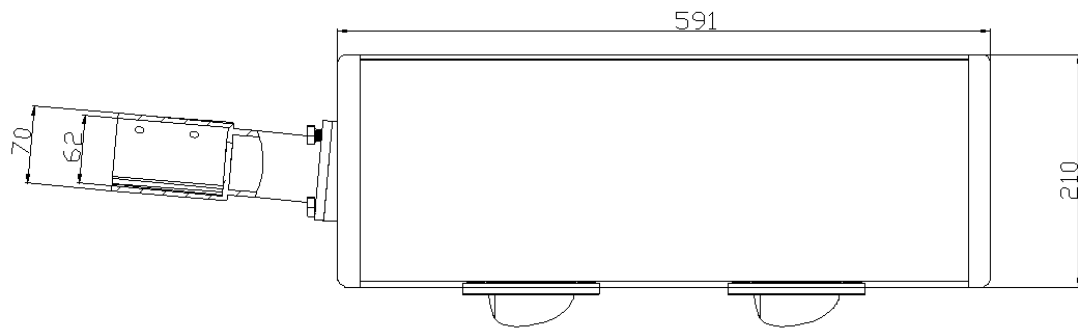
Total Lumen output: 20000lm@230V 50Hz 5500K

Uniformity of illuminance (Principal area):  $E_{min}/E_{max}=0.635,$

$E_{min}/E_{ave}=0.719$

**6. Average life time:** 30,000 hours in min.

### 7. Dimension:



## 8. Test report:

