

LED High Definition Tennis Court Lighting

Model : PROLED 400

1. Applications: Suitable for wet locations

2. Mechanical specification:

Housing: Aluminum, optical glass, silica gel

Outline Dim: 591*378*246mm

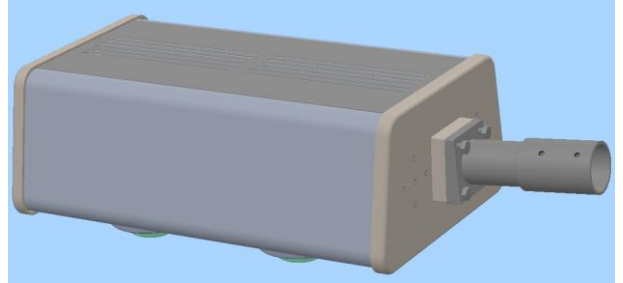
Net Weight: about 12kg

Surface temperature: $<60^{\circ}\text{C}$ (@ $T_a=25^{\circ}\text{C}$)

Protection grade: IP65

Installation height: 8m

Anti-wind grade: >12 level



3.Environment Specification:

Operation Temp: $-30\sim+50^{\circ}\text{C}$

Humidity range: 10% ~ 90%

4.Electric Specification:

Input Voltage: 100-277Vac 47~63 Hz

Power Consumption: 400W

Power factor: >0.95

5. Optical performance:

Color Temp: Cool White 5000~5700K

CRI: >80

IES classification: Type II

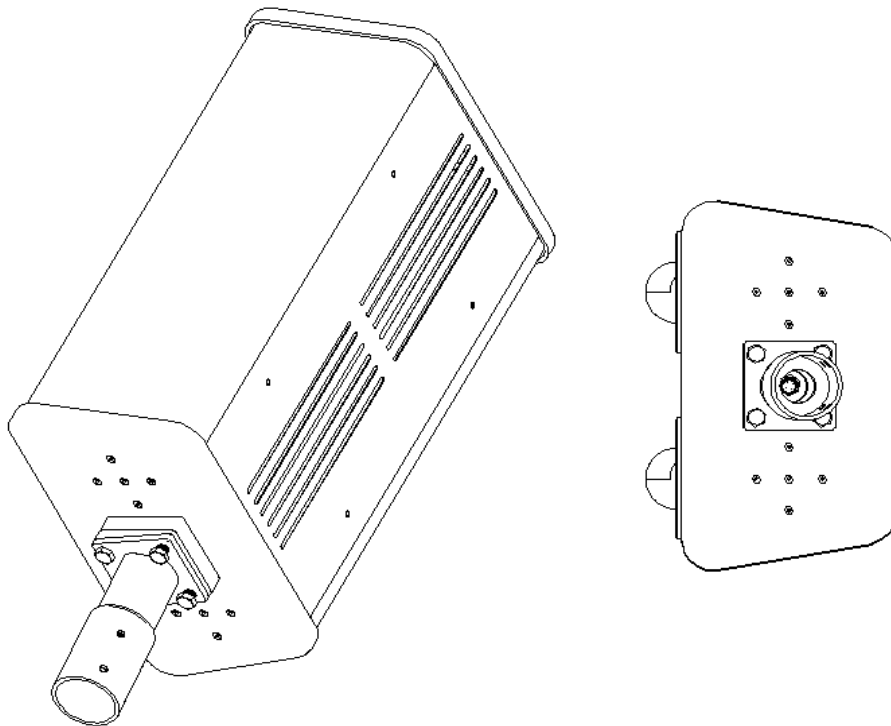
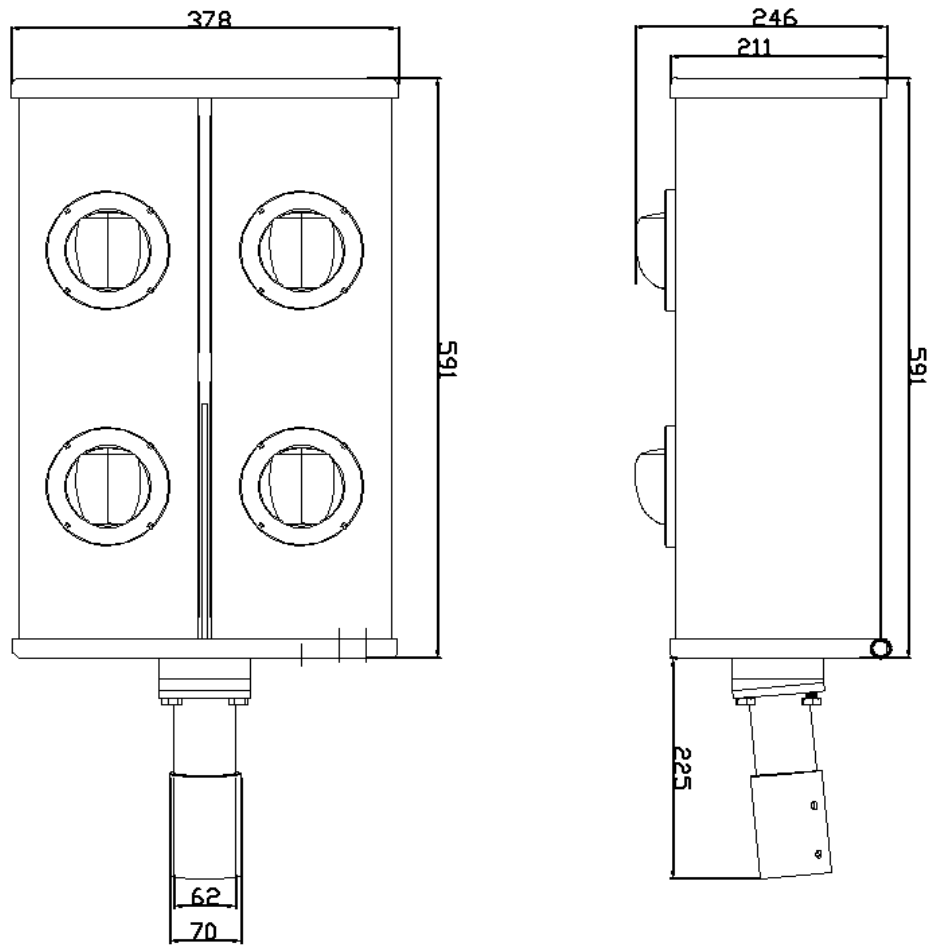
Total Lumen output: 40000lm@230V 50Hz 5500K

Uniformity of illuminance (Principal area): $E_{min}/E_{max}=0.635,$

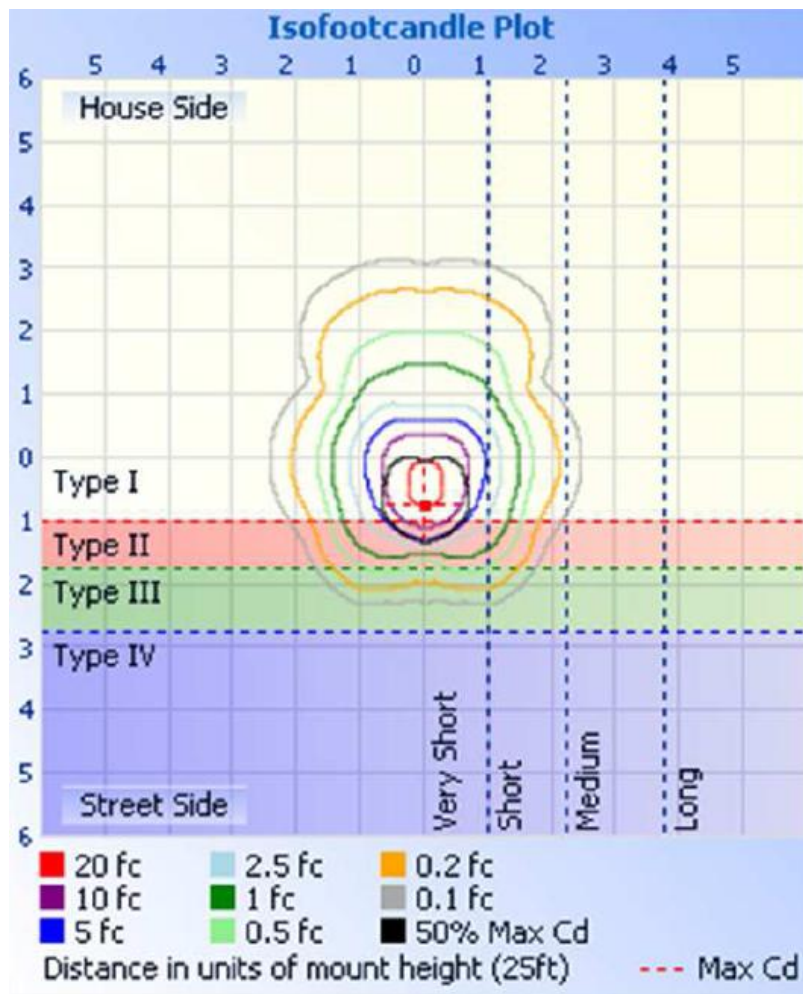
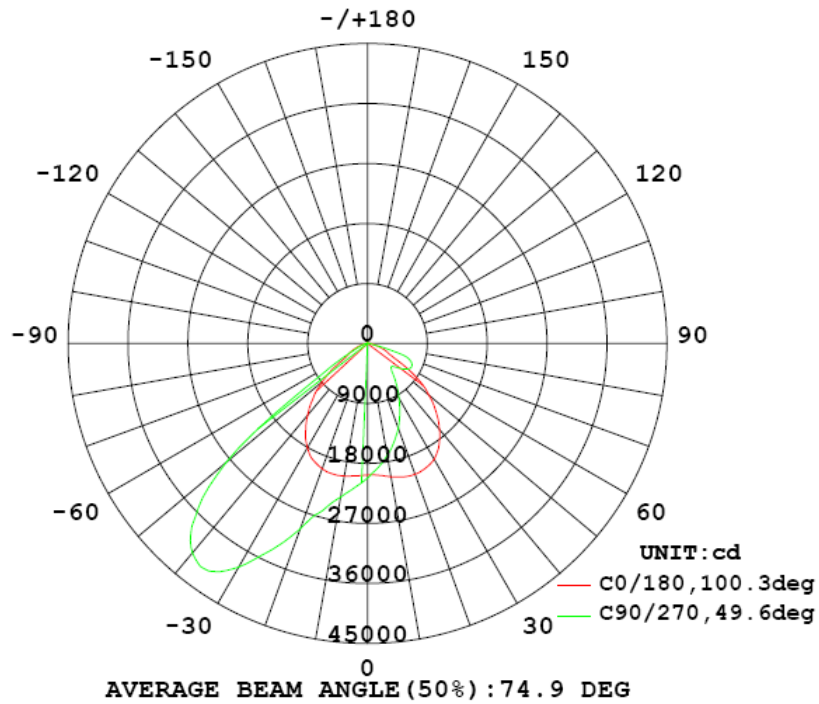
$E_{min}/E_{ave}=0.719$

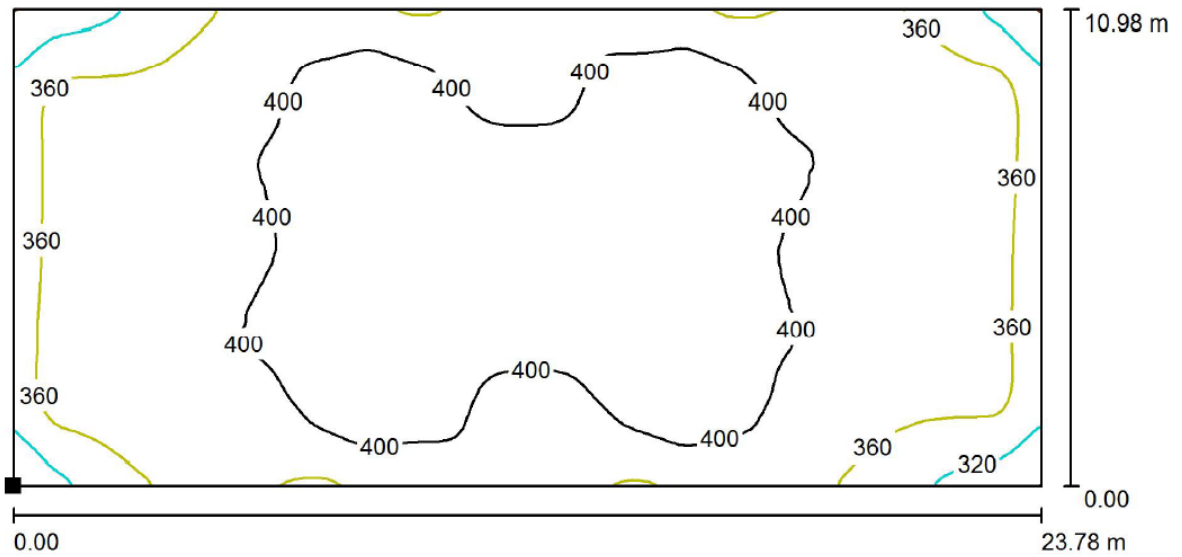
6. Average life time: 30,000 hours in min.

7. Dimension:



8. Test report:





Principal area Unit: Lx